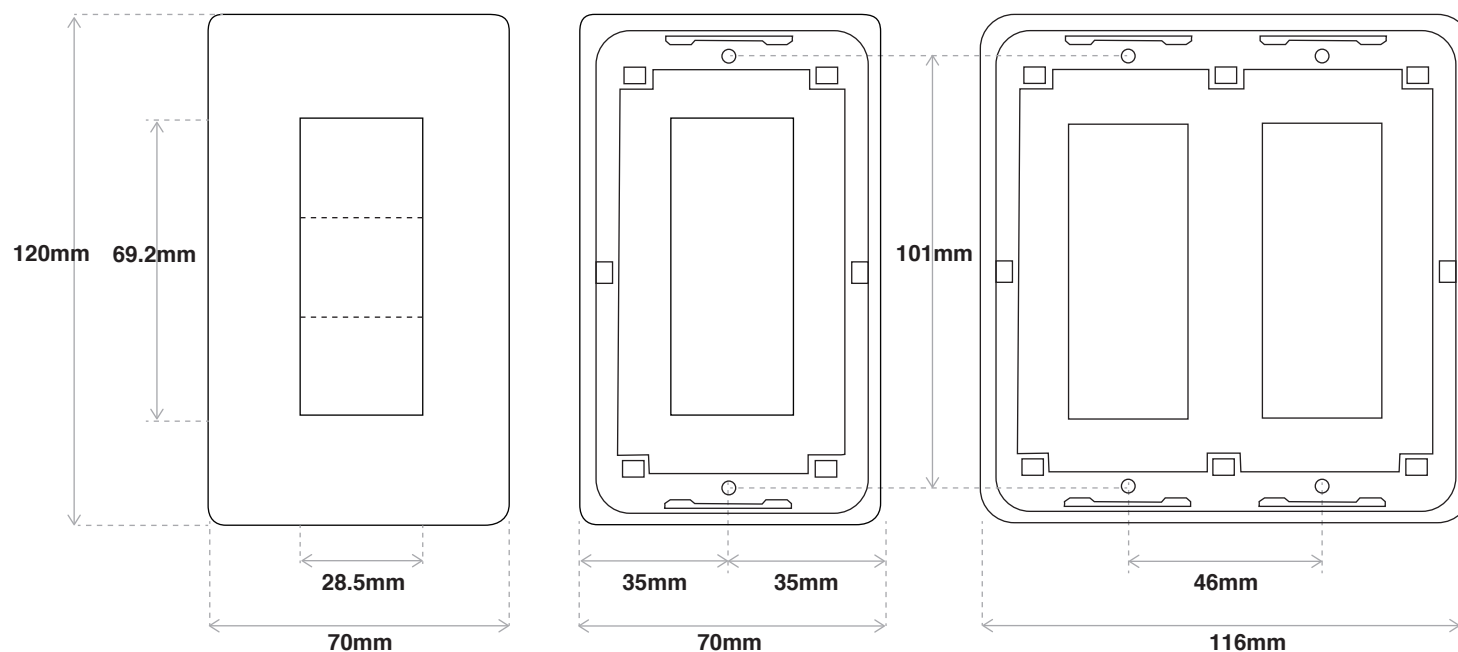


SWITCH PLATE - CARVING

SIZE



FRONT

BACK

HOW TO USE

